

M.E.G.A.

CATALOGUE

OF

FLANGED OUTLETS

M.E.G.A. S.p.A.

Via Dalla Chiesa, 3

24020 Scanzorosciate (BG)

Italy

www.mega-spa.com

mega@mega-fittings.com

PRODUCT DESCRIPTION

All our products come in a variety of classes and material grade for any application.

This catalogue is specific for flanged outlets.

Flanged outlets are available with nominal diameter from 1/2" up to 12", rating from class 150# to 2500#, RF or RTJ. Schedules available are 10S, STD, XS, 160 and XXS, all according to Shell Standard Drawing S38.090-C and can be installed on header pipes from DN 3/4" up to 36".

Other specially designed and manufactured products are available upon request.

For more information on these products or to learn about the complete M.E.G.A. production line, visit our website at www.mega-spa.com, or contact our customer service personnel.

Our flanged outlets are flanged branch connection featuring:

- Reduced installation and manufacturing cost
- Longer life under cyclic fatigue loading
- Butt-weld installation in header pipe
- Shape in compliance with Shell Standard Drawing S38.090-C
- Flange dimension according to ASME B16.5

HOW TO ORDER

To ensure an accurate description of the product you require and to shorten order time, we suggest you to use the following scheme.

Id	Branch		Flange rating	RF / RTJ	Material	Type	Header	
	Size	Schedule					Size	Schedule
				(1)		(2)		(3)

Additional requirements may be specified (e.g. different design standard etc.).

All fittings are designed in accordance with ASME B31.3 / ASME B16.5 unless otherwise specified.

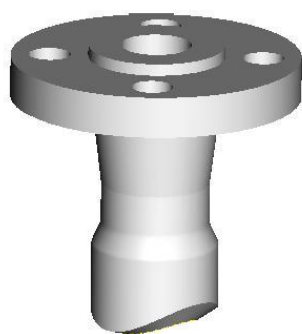
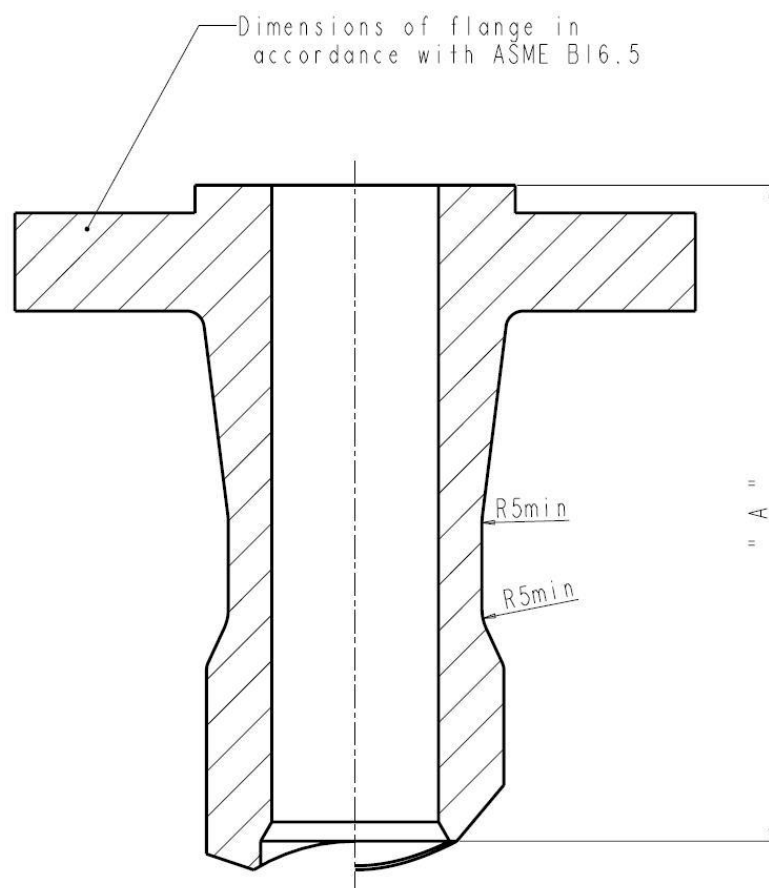
EXAMPLE

1.1/2" - Sch. 80 - ANSI 300# - RF - ASTM A105N - Nipoflange - 6" - Sch. 40

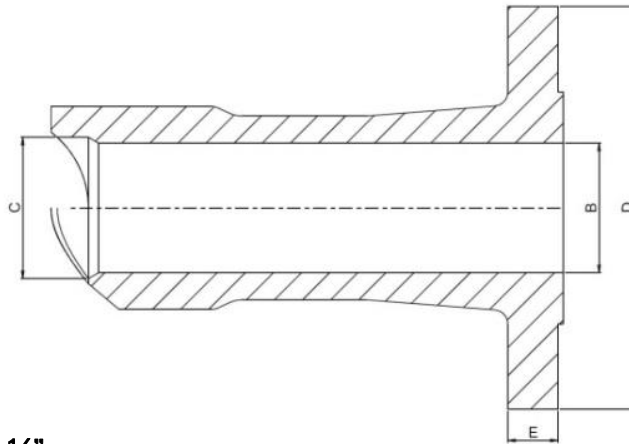
NOTES

- 1) Flange face requirement
- 2) Nipoflange, Elboflange, Latroflange, Nipple welding outlet, Flanged insert megalet
- 3) Fitting to be supplied scalloped as per Nipoflange Run Pipe Range sheet or according to Customer's requirements

NIPOFLANGE



Nominal size DN	" A "				
	(Face of flange to crotch)				
	Class				
	150	300	600	1500	2500
15					
20					
25	150	150	150	150	150
40					
50					165



Branch 1/2"

Branch 3/4"

RATING	NOMINAL PIPE SIZE FROM 3/4" TO 36"					
	Bore schedule	B	C	D	E	Weight [kg]
150#	STD	15,8	18,5	88,9	11,2	0,9
	XS	13,8	17,6			0,9
	160	11,7	11,7			0,9
	XXS	6,4	6,4			0,9
300#	STD	15,8	18,5	95,3	14,3	1,2
	XS	13,8	17,6			1,2
	160	11,7	11,7			1,2
	XXS	6,4	6,4			1,2
600#	STD	15,8	18,5	95,3	14,3	1,3
	XS	13,8	17,6			1,3
	160	11,7	11,7			1,3
	XXS	6,4	6,4			1,3
900#	STD	15,8	18,5	120,6	22,4	2,4
	XS	13,8	17,6			2,4
	160	11,7	11,7			2,4
	XXS	6,4	6,4			2,4
1500#	STD	15,8	18,5	120,6	22,4	2,4
	XS	13,8	17,6			2,4
	160	11,7	11,7			2,4
	XXS	6,4	6,4			2,4
2500#	STD	15,8	18,5	133,4	30,2	3,6
	XS	13,8	17,6			3,6
	160	11,7	11,7			3,6
	XXS	6,4	6,4			3,6

RATING	NOMINAL PIPE SIZE FROM 1" TO 36"					
	Bore schedule	B	C	D	E	Weight [kg]
150#	STD	21	23,8	98,6	12,7	1,2
	XS	18,9	22,8			1,2
	160	15,6	15,6			1,4
	XXS	11,1	11,1			1,5
300#	STD	21	23,8	117,4	15,8	1,7
	XS	18,9	22,8			1,9
	160	15,6	15,6			2
	XXS	11,1	11,1			2,1
600#	STD	21	23,8	117,4	15,8	2
	XS	18,9	22,8			2,1
	160	15,6	15,6			2,2
	XXS	11,1	11,1			2,2
900#	STD	21	23,8	130	25,4	3,1
	XS	18,9	22,8			3,2
	160	15,6	15,6			3,2
	XXS	11,1	11,1			3,3
1500#	STD	21	23,8	130	25,4	3,1
	XS	18,9	22,8			3,2
	160	15,6	15,6			3,2
	XXS	11,1	11,1			3,3
2500#	STD	21	23,8	139,7	31,8	4,4
	XS	18,9	22,8			4,5
	160	15,6	15,6			4,5
	XXS	11,1	11,1			4,6

Branch 1"

Branch 1 1/2"

RATING	NOMINAL PIPE SIZE FROM 1.1/2" TO 36"					
	Bore schedule	B	C	D	E	Weight [kg]
150#	STD	26,6	30	108	14,3	1,7
	XS	24,3	28,8			1,7
	160	20,7	20,7			2
	XXS	15,2	15,2			2,2
300#	STD	26,6	30	124	17,6	2,3
	XS	24,3	28,8			2,5
	160	20,7	20,7			2,6
	XXS	15,2	15,2			2,8
600#	STD	26,6	30	124	17,6	2,6
	XS	24,3	28,8			2,7
	160	20,7	20,7			2,8
	XXS	15,2	15,2			3
900#	STD	26,6	30	149,4	28,5	4,5
	XS	24,3	28,8			4,6
	160	20,7	20,7			4,7
	XXS	15,2	15,2			4,8
1500#	STD	26,6	30	149,4	28,5	4,5
	XS	24,3	28,8			4,6
	160	20,7	20,7			4,7
	XXS	15,2	15,2			4,8
2500#	STD	26,6	30	158,8	35,1	6,1
	XS	24,3	28,8			6,2
	160	20,7	20,7			6,2
	XXS	15,2	15,2			6,3

RATING	NOMINAL PIPE SIZE FROM 2" TO 36"					
	Bore schedule	B	C	D	E	Weight [kg]
150#	STD	40,9	44,6	127	17,5	3,1
	XS	38,1	43,2			3,3
	160	34	34			3,5
	XXS	28	28			3,8
300#	STD	40,9	44,6	155,5	20,6	4,1
	XS	38,1	43,2			4,5
	160	34	34			4,7
	XXS	28	28			5
600#	STD	40,9	44,6	155,5	22,4	4,9
	XS	38,1	43,2			5
	160	34	34			5,2
	XXS	28	28			5,5
900#	STD	40,9	44,6	177,8	31,8	7,2
	XS	38,1	43,2			7,4
	160	34	34			7,6
	XXS	28	28			7,9
1500#	STD	40,9	44,6	177,8	31,8	7,2
	XS	38,1	43,2			7,4
	160	34	34			7,6
	XXS	28	28			7,9
2500#	STD	40,9	44,6	203,2	44,5	12
	XS	38,1	43,2			12
	160	34	34			12,2
	XXS	28	28			12,5

Branch 2"

RATING	NOMINAL PIPE SIZE FROM 3" TO 36"					
	Bore schedule	B	C	D	E	Weight [kg]
150#	STD	52,5	56,4	152,4	19,1	4,1
	XS	49,2	54,8			4,8
	160	42,8	42,8			5,1
	XXS	38,2	38,2			5,5
300#	Bore schedule	B	C	D	E	Weight [kg]
	STD	52,5	56,4	165,1	22,4	5,5
	XS	49,2	54,8			5,8
	160	42,8	42,8			6,1
XXS	38,2	38,2	6,5			
600#	Bore schedule	B	C	D	E	Weight [kg]
	STD	52,5	56,4	165,1	25,4	6,2
	XS	49,2	54,8			6,5
	160	42,8	42,8			7
XXS	38,2	38,2	7,2			
900#	Bore schedule	B	C	D	E	Weight [kg]
	STD	52,5	56,4	215,9	38,1	13
	XS	49,2	54,8			13,3
	160	42,8	42,8			13,6
XXS	38,2	38,2	13,9			
1500#	Bore schedule	B	C	D	E	Weight [kg]
	STD	52,5	56,4	215,9	38,1	13
	XS	49,2	54,8			13,3
	160	42,8	42,8			13,6
XXS	38,2	38,2	13,9			
2500#	Bore schedule	B	C	D	E	Weight [kg]
	STD	52,5	56,4	235	50,8	18,4
	XS	49,2	54,8			18,6
	160	42,8	42,8			19
XXS	38,2	38,2	19,3			

Branch 3"

RATING	NOMINAL PIPE SIZE FROM 4" TO 36"				
	Bore schedule	Length	D	E	Weight [kg]
150#	10-STD	115	191	23,9	7,5
	XS-80	115			7,5
	160-XXS	145			8
300#	Bore schedule	Length	D	E	Weight [kg]
	10-STD	125	210	28,5	10
	XS-80	125			10
	160-XXS	150			11
600#	Bore schedule	Length	D	E	Weight [kg]
	10-STD	135	210	38,2	13,5
	XS-80	135			13,5
	160-XXS	165			14,5
900#	Bore schedule	Length	D	E	Weight [kg]
	10-STD	155	241	44,5	17
	XS-80	155			17
	160-XXS	180			18
1500#	Bore schedule	Length	D	E	Weight [kg]
	10-STD	170	267	54,1	25
	XS-80	170			25
	160-XXS	200			26
2500#	Bore schedule	Length	D	E	Weight [kg]
	10-STD	220	305	72,9	45,5
	XS-80	220			45,5
	160-XXS	250			51

Branch 4"

RATING	NOMINAL PIPE SIZE FROM 5" TO 36"				
	Bore schedule	Length	D	E	Weight [kg]
150#	10-STD	130	229	23,9	11,5
	XS-80	130			11,5
	160-XXS	160			13
300#	Bore schedule	Length	D	E	Weight [kg]
	10-STD	140	254	31,8	16
	XS-80	140			16
	160-XXS	170			17
600#	Bore schedule	Length	D	E	Weight [kg]
	10-STD	160	273	44,5	24
	XS-80	160			24
	160-XXS	195			26
900#	Bore schedule	Length	D	E	Weight [kg]
	10-STD	170	292	50,8	28
	XS-80	170			28
	160-XXS	205			29,5
1500#	Bore schedule	Length	D	E	Weight [kg]
	10-STD	180	311	60,2	38
	XS-80	180			38
	160-XXS	215			40
2500#	Bore schedule	Length	D	E	Weight [kg]
	10-STD	250	356	82,4	70,5
	XS-80	250			70,5
	160-XXS	281			72

Branch 6"

RATING	NOMINAL PIPE SIZE FROM 8" TO 36"				
	Bore schedule	Length	D	E	Weight [kg]
150#	10-STD	150	279	25,4	23,5
	XS-80	170			25
	160-XXS	195			27
300#	Bore schedule	Length	D	E	Weight [kg]
	10-STD	160	318	36,6	36,6
	XS-80	175			37,5
	160-XXS	205			39
600#	Bore schedule	Length	D	E	Weight [kg]
	10-STD	185	356	54,1	49,5
	XS-80	200			51
	160-XXS	230			53,2
900#	Bore schedule	Length	D	E	Weight [kg]
	10-STD	210	381	62	62,5
	XS-80	225			64,3
	160-XXS	250			66
1500#	Bore schedule	Length	D	E	Weight [kg]
	10-STD	240	394	88,9	87,5
	XS-80	255			89
	160-XXS	285			91,2
2500#	Bore schedule	Length	D	E	Weight [kg]
	10-STD	340	483	114,3	186
	XS-80	360			189
	160-XXS	385			192,5

Branch 8"

RATING	NOMINAL PIPE SIZE FROM 10" TO 36"				
	Bore schedule	Length	D	E	Weight [kg]
150#	10-STD	175	343	28,5	32
	XS-80	195			34
	160-XXS	215			36
300#	10-STD	180	381	41,2	45
	XS-80	210			48,5
	160-XXS	220			49,5
600#	10-STD	210	419	62	69
	XS-80	240			72,5
	160-XXS	250			73,5
900#	10-STD	240	470	62,9	88
	XS-80	265			89,5
	160-XXS	280			91
1500#	10-STD	290	483	98,3	139
	XS-80	320			141
	160-XXS	330			141,5
2500#	10-STD	395	553	133,4	277,5
	XS-80	425			280
	160-XXS	435			281,5

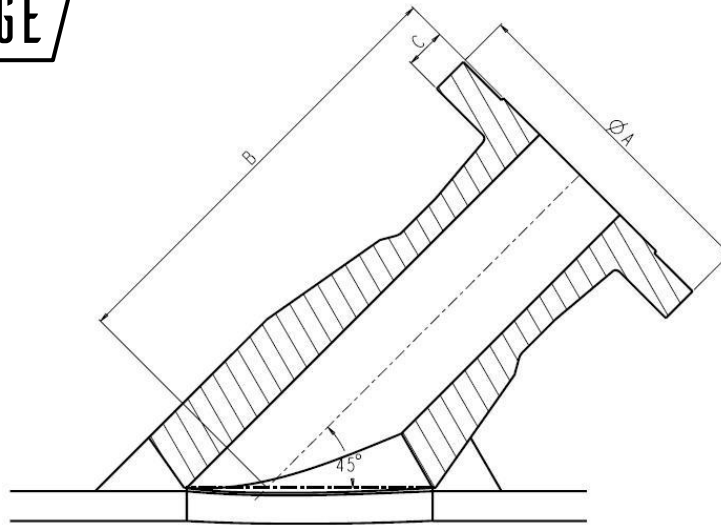
Branch 10"

RATING	NOMINAL PIPE SIZE FROM 12" TO 36"				
	Bore schedule	Length	D	E	Weight [kg]
150#	10-STD	180	400	30,2	44,5
	XS-80	200			46
	160-XXS	230			48
300#	10-STD	195	445	47,8	62
	XS-80	210			63,5
	160-XXS	240			65,5
600#	10-STD	240	508	69,9	107
	XS-80	255			108
	160-XXS	285			110,5
900#	10-STD	270	546	76,2	139
	XS-80	285			140,5
	160-XXS	315			142
1500#	10-STD	340	584	114,3	227
	XS-80	360			229
	160-XXS	385			232,5
2500#	10-STD	505	673	171,5	508,5
	XS-80	520			510,3
	160-XXS	550			512,4

Branch 12"

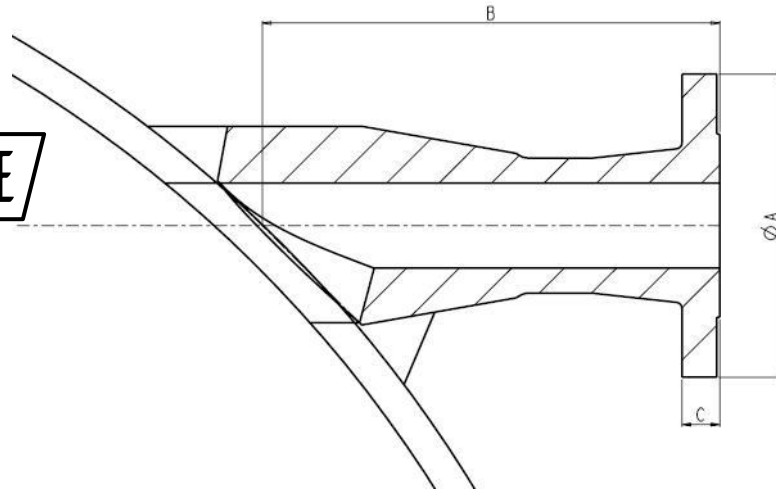
RATING	NOMINAL PIPE SIZE FROM 14" TO 36"				
	Bore schedule	Length	D	E	Weight [kg]
150#	10-STD	200	483	31,8	64
	XS-80	220			66
	160-XXS	250			68
300#	10-STD	215	521	51	91
	XS-80	235			92,5
	160-XXS	265			94,3
600#	10-STD	250	559	72,9	130
	XS-80	265			132
	160-XXS	300			134,6
900#	10-STD	295	610	85,6	179
	XS-80	310			181,5
	160-XXS	340			183,5
1500#	10-STD	375	673	130,3	340,5
	XS-80	395			342,7
	160-XXS	425			345,3
2500#	10-STD	555	762	190,5	719,5
	XS-80	575			721,6
	160-XXS	605			724,8

LATROFLANGE



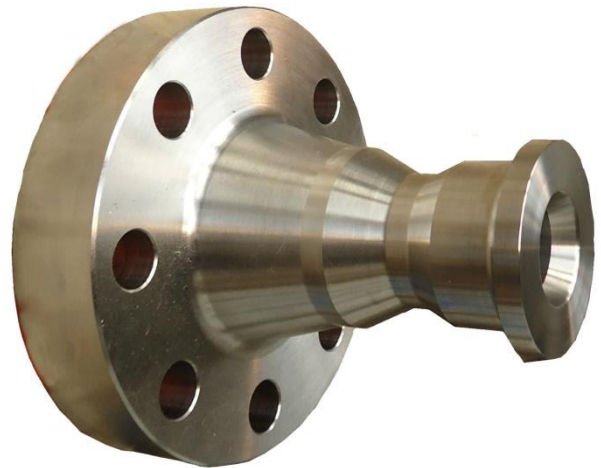
RATING	LATROFLANGES					
	Branch NB	A	B		C	Weight [kg]
			sch 10-80	sch 160-XXS		
			150#	1/2"		
	3/4"	99	100	110	12,7	1,5
	1"	108	115	120	14,3	2,5
	1.1/2"	127	130	145	17,5	4,5
	2"	152	145	160	19	6
300#	1/2"	96	90	100	14,3	1,5
	3/4"	117	105	115	15,8	2
	1"	124	120	125	17,5	3
	1.1/2"	156	140	150	20,6	6
	2"	165	150	165	22,4	7,5
600#	1/2"	96	100	110	20,6	1,5
	3/4"	117	110	120	22,1	2,5
	1"	124	125	130	23,9	3
	1.1/2"	156	145	155	28,7	6,5
	2"	165	160	175	31,8	9
900#	1/2"	121	110	115	28,7	2,5
	3/4"	130	125	135	31,8	3,5
	1"	149	135	140	34,8	5
	1.1/2"	178	155	170	38,1	9
	2"	216	190	205	44,5	15
1500#	1/2"	121	110	115	28,7	2,5
	3/4"	130	125	135	31,8	3,5
	1"	149	135	140	34,8	5
	1.1/2"	178	155	170	38,1	9
	2"	216	190	205	44,5	15
2500#	1/2"	133	120	130	36,6	3,5
	3/4"	140	135	145	38,1	4,5
	1"	159	155	160	41,4	6,5
	1.1/2"	203	185	200	50,8	14
	2"	235	215	230	57,4	22,5

ELBOWFLANGE



RATING	ELBOWFLANGES					
	Branch NB	A	B		C	Weight [kg]
sch 10-80			sch 160-XXS			
150#	1/2"	89	85	95	11,2	1,3
	3/4"	99	100	105	12,7	1,5
	1"	108	110	115	14,3	2,5
	1.1/2"	127	120	130	17,5	4,5
	2"	152	135	145	19	5,5
	300#	1/2"	96	90	100	14,3
3/4"		117	100	110	15,8	2
1"		124	115	120	17,5	3
1.1/2"		156	130	140	20,6	6
2"		165	140	150	22,4	7,6
600#		1/2"	96	100	105	20,6
	3/4"	117	110	115	22,1	2,5
	1"	124	120	125	23,9	3
	1.1/2"	156	135	145	28,7	6,5
	2"	165	150	160	31,8	9
	900#	1/2"	121	105	115	28,7
3/4"		130	120	130	31,8	3,5
1"		149	130	135	34,8	5
1.1/2"		178	150	160	38,1	9
2"		216	180	190	44,5	14
1500#		1/2"	121	105	115	28,7
	3/4"	130	120	130	31,8	3,5
	1"	149	130	135	34,8	5
	1.1/2"	178	150	160	38,1	9
	2"	216	180	190	44,5	15
	2500#	1/2"	133	115	125	36,6
3/4"		140	130	135	38,1	4,5
1"		159	145	150	41,4	6,5
1.1/2"		203	175	185	50,8	14
2"		235	205	215	57,4	22,5

PHOTOGALLERY



WARRANTY	All products are warranted to be free from manufacturing defects for a period of one year from date of shipment, and any found to be defective within that period will be replaced without charge, provided (1) that the product was used as recommended and in accordance with approved installation and operating practices, (2) that its failure resulted from a manufacturing defect and not from damage due to corrosive, abrasive, or other wear normally to be expected in the services involved, (3) that the product was not modified or changed (unless written approval was given by MEGA), and (4) that written notice of such defect is delivered to MEGA during such one (1) year period. No labor costs or other expense or liability is assumed. This express warranty is in lieu of and excludes all other warranties, guarantees, or representations, expressed or implied. THERE ARE NO IMPLIED WARRANTIES OF MERCHANTABILITY OR OF FITNESS FOR A PARTICULAR PURPOSE.
EXCLUSIONS	Do not use MEGA products in aircraft or aerospace applications. No warranties, guarantees or representations of any kind are made with respect to such applications. Purchaser assumes all risks of any use in such applications and will indemnify and hold harmless MEGA against and from any claims, costs (including attorney's fees) and liabilities arising out of such use.
PURCHASER'S REMEDIES	The Purchaser's remedies with respect to any product furnished by MEGA hereunder that is found not to be in conformity with the terms and conditions of the contract because of breach of contract, breach of express or implied warranty, or negligence shall be limited exclusively to the right of replacement of such defective product or, at our option, repayment of our sale price of the product. In no event shall MEGA be liable for claims (based upon breach of contract, breach of express or implied warranty, or negligence) for any other damages, whether direct, immediate, foreseeable, consequential, or special or for any expenses incurred by reason of the use or misuse, sale or fabrication of products which do or do not conform to the terms and conditions of the contract.
PRICES	Prices, and other terms of sale and payment, are subject to change without notice. Unless a contrary provision appears in this price schedule, quotation or order acknowledgment, prices may be withdrawn without notice at any time. Stenographic or clerical errors are subject to correction.
ACCEPTANCE OF ORDERS	All orders are subject to MEGA credit department approval prior to acceptance by MEGA. No assignment of the Purchaser's rights may be made without the written consent of MEGA.
REMITTANCES	All accounts are payable in European funds, free of exchange, collection, or any other charges. If, in the sole discretion of MEGA, the financial condition of the Purchaser at any time so requires, MEGA retains the right to require full or partial payment in advance.
PARTIAL SHIPMENTS AND PAYMENTS	MEGA reserves the right to make partial shipments from time to time, and to render invoices therefore, which shall be due and payable as provided in said invoices and the paragraph entitled "Remittances". If the Purchaser becomes overdue in any such partial payment, MEGA shall be entitled to suspend work and/ or avail itself of other legal remedies.
TAXES	Unless otherwise specifically noted, the amount of any sale, use, occupancy, excise tax, or other tax, of any nature, federal, state, or local for which MEGA is legally liable, either initially or through failure of payment by Purchaser, shall be added or be in addition to the price quoted and Purchaser agrees to pay the same to MEGA.
SHORTAGES	Claims for shortages must be made in writing within ten days after receipt of shipment, but loss of or damage to material in transit is the responsibility of the carrier.
DELAYS	All promises of shipment are estimated as closely as possible, and we will use our best efforts to ship within the time promised but do not guarantee to do so, and assume no liability for not doing so. Materials stated to be in

stock are subject to prior sale.

CANCELLATION & SUSPENSION	The order or contract is subject to cancellation or instructions to suspend or delay work or delivery only upon receipt of written notification and with our consent, and upon agreement to pay MEGA's adjustment charge. Orders for special products (usually "price on application" items) may be changed and/or cancelled only upon receipt of written instructions with an expressed agreement to make payment for material used and work already performed.
RETURN OF MATERIAL	No product of our manufacture may be returned without written consent. All goods returned are subject to a handling charge plus freight in both directions and charges for any required reconditioning, unless otherwise specified in writing by MEGA.
PATENTS	Purchaser will indemnify and hold harmless MEGA against and from any claims, costs (including attorney's fees) and liabilities arising out of any suit alleging infringement of any patents, by any product supplied by MEGA under the contract and made in accordance with the design and/or specification furnished by the Purchaser to MEGA.
NO WAIVER	The failure of MEGA to insist, in any one or more instances upon the performance of any of the terms, covenants, or conditions of the contract or to exercise any right thereunder shall not be construed as a waiver or relinquishment of the future performance of any such term, covenant, or condition or the future exercise of such rights, nor shall it be deemed to be a waiver or relinquishment of any other term, covenant, or condition or the exercise of any other rights under the contract.
DIES, TOOLS & PATTERNS	Dies, tools and patterns required to produce the article quoted on shall remain the property of MEGA. Preparation charges for dies, tools and patterns represent only a portion of cost. Payment of such charge does not give you any right, title, or interest in such dies, tools, or other products of preparation. We will not be responsible for retention of dies or patterns on which no orders are received for two years or more.
FORCE MAJEURE	Any delays in or failure of performance of MEGA shall not constitute default or give rise to any claims or damages if and to the extent that such delay or failure is caused by occurrences beyond the control of MEGA, including but not limited to acts of God or the public enemy, expropriation or confiscation of facilities, compliance with any order or request of any governmental authority, acts of war, rebellion or sabotage or damage resulting therefrom, embargoes or other export restrictions, fires, floods, explosions, accidents, breakdowns, riots or strikes or other conceived acts of workmen, whether direct or indirect, or any other causes whether or not of the same class or kind as those specifically above named which are not within the control of MEGA and which by the exercise of reasonable diligence, MEGA is unable to prevent or provide against.
PURCHASER'S ACCEPTANCE OF ABOVE CONDITIONS	The contract shall be subject to the terms and conditions contained or referred to in MEGA's price schedule, quotation or order acknowledgment and to no others whatsoever. No waiver, alteration, or modification of the terms and conditions in this price schedule, quotation or order acknowledgment shall be binding unless in writing and signed by an authorized representative of MEGA.

The material in this catalog is for general information. For specific performance data and proper material selection, consult your MEGA representative. Although every attempt has been made to ensure that the information contained in this catalog is correct, MEGA reserves the right to change designs, materials or specifications without notice.